

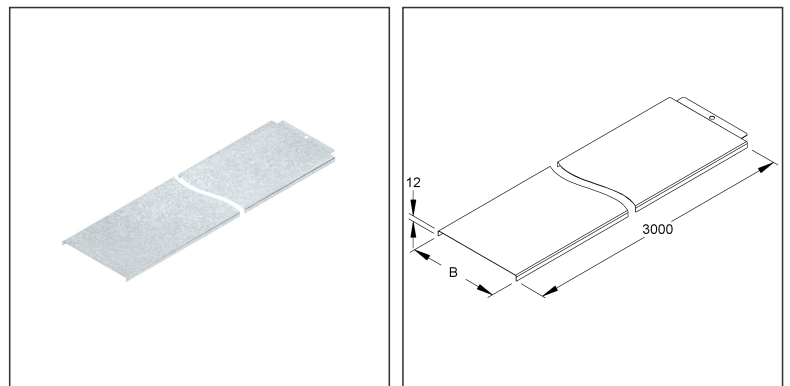
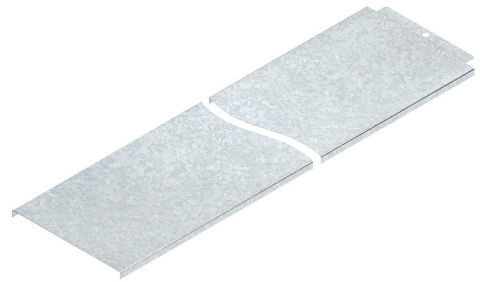
### Cover for Cable Tray/-Ladder

with joint strip

**RD 600 F**

EAN Code: 4013339263301  
 Smallest packaging unit: 2 x 3 m  
 quantity unit: m M

the photorealistic images are to be considered as reference images



#### Article Description

Cover for cable tray/-ladder, with joint strip, 602x3000 mm, steel, hot dip galvanised DIN EN ISO 1461

#### Additional Price Information

Article group	N13
quantity unit	m

#### Weight

Weight per quantity unit	5,420 kg / m
Weight in kg per 100	542 kg / 100m

#### Physical Article Dimensions

Height	12.00 mm
Width	604 mm
Depth/length	3020 mm

# Technical Datasheet

## Cable Tray System

RD 600 F

the photorealistic images are to be considered as reference images

### Packing Dimension

<b>6 meters = 1 bundle</b>		✓ VP1-smallest packaging unit ( PU)		✓ VP1-preferred PU	
Lenght	3020 mm	Width	609 mm	Height	17.00 mm
Gross weight	33 kg	Volume	0,031 m <sup>3</sup>		
Min. quantity	6.00 m	Max. Quantity	6.00 m		
<b>270 meters = 1 rack</b>					
Lenght	3020 mm	Width	1162 mm	Height	1120 mm
Gross weight	1561 kg	Volume	3,930 m <sup>3</sup>		
Min. Quantity	270.00 m	Max. Quantity	270.00 m		

### Tender Text

Cover for cable tray/ladder, with joint strip to reduce deflection at the cover joint, protection against penetration of dirt and increase stability with the adjacent cover, without turn bolt lock fasteners.

VDE certified!

Used for:

cable trays with 35, 60, 85 and 110 mm edge height

horizontal and vertical cable ladder with 60 and 100 mm edge height

Dimensions (approx. dimension)

Width W (inside) : 602 mm

Delivery length L : 3000 mm

Material : steel, hot-dip galvanised acc. to DIN EN ISO 1461

NIEDAX Model No. : RD 600 F

EP Material \_\_\_\_\_ EP Wage \_\_\_\_\_

Unit price/meter

### Safety & Environment

REACH Date	05.11.2025
REACH Info	Conformable
RoHS Info	Conformable

### Origin & International Trade

Country of origin	DE
Federal State of Origin	RP
Customs tariff number	73089059